

FEATURES

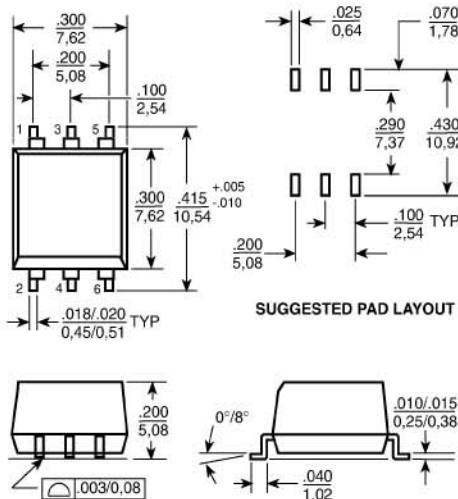
- IEEE 802.3af/ANSI X3.263 compliant performance
- Suitable for End-span and Mid-span PoE applications
- 350 mA current capability
- Designed for IP phone or switch applications
- Compact footprint



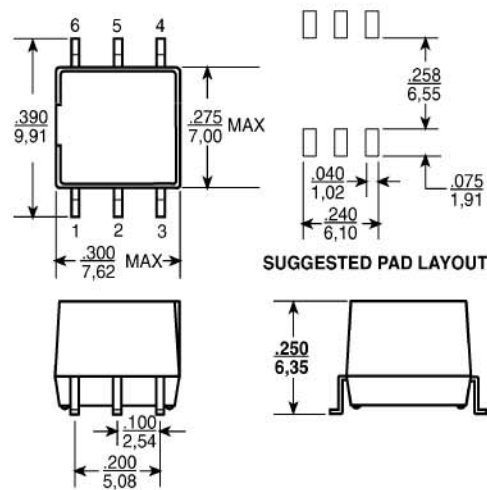
ELECTRICAL SPECIFICATIONS @25°C -Operating temperature 0°C TO 70°C														
Part Number	Ports	Insertion Loss (dB max)	Return Loss (dB MIN @100Ω)				Differential to Common Mode Rejection (dB MIN)			Crosstalk (dB MIN)			Hipot (Vrms MIN) @60Hz	DC Resistance Balance ≤ (%)
			1-100 MHz	1-30 MHz	40 MHz	50 MHz	60-80 MHz	30 MHz	60 MHz	100 MHz	30 MHz	60 MHz		
ST-15F50	1	-1.2	-16	-14	-13	-12	-43	-37	-33	-45	-40	-35	1500	-
ST-15F51	1	-1.2	-16	-14	-13	-12	-43	-37	-33	-45	-40	-35	1500	-
ST-15F32	1	-1.2	-16	-14	-13	-12	-43	-37	-33	-45	-40	-35	1500	-
ST-15F30	1	-1.2	-16	-14	-13	-12	-43	-37	-33	-45	-40	-35	1500	3.5
ST-15F10	2	-1.2	-16	-14	-13	-12	-43	-37	-33	-43	-37	-31	1500	3.5
ST-15F11	2	-1.2	-16	-14	-13	-12	-40	-35	-30	-43	-37	-33	1500	3.5
ST-15F20	2	-1.1	-16	-14	-13	-12	-43	-37	-33	-43	-37	-33	1500	3.5
ST-15F21	2	-1.0	-18	-18	-16	-12	-43	-37	-33	-43	-37	-33	1500	-
ST-15F22	2	-1.1	-18	-12	-12	-12	-	-	-	-	-	-	1500	-
ST-15F23	2	-1.2	-18	-16	-14	-12	-45	-45	-35	-45	-40	-35	1500	-
ST-15F24	2	-1.2	-18	-16	-14	-12	-45	-45	-35	-45	-40	-35	1500	-
ST-15F25	1	-1.1	-16	-14	-13	-12	-43	-37	-33	-40	-35	-30	1500	-
ST-15F26	2	-1.2	-16	-14	-13	-12	-43	-37	-33	-43	-37	-31	1500	-
ST-15F40	4	-1.2	-16	-14	-13	-12	-43	-37	-33	-45	-40	-35	1500	3.5
ST-15F41	4	-1.2	-16	-14	-13	-12	-43	-37	-33	-45	-40	-35	1500	3.5
ST-15F31C	1	-1.4	-16	-14	-13	-12	-	-	-	-45	-40	-35	1500	3.5
ST-15F42	4	-1.1	-18	-12	-12	-12	-	-	-	-43	-37	-33	1500	-
ST-15F43	2	-1.1	-16	-14	-13	-12	-43	-37	-33	-43	-37	-33	1500	-
ST-15F43A	2	-1.1	-16	-14	-13	-12	-43	-37	-33	-43	-37	-33	1500	-
ST-15F44	2	-1.1	-16	-14	-13	-12	-43	-37	-33	-43	-37	-33	1500	-
ST-15F45	2	-1.1	-18	-12	-12	-12	-	-	-	-43	-37	-33	1500	-
ST-15F46	2	-1.1	-18	-12	-12	-12	-	-	-	-43	-37	-33	1500	-
ST-15F47	4	-1.1	-18	-18	-	-12	-40	-40	-40	-45	-40	-35	1500	0.9

Mechanicals

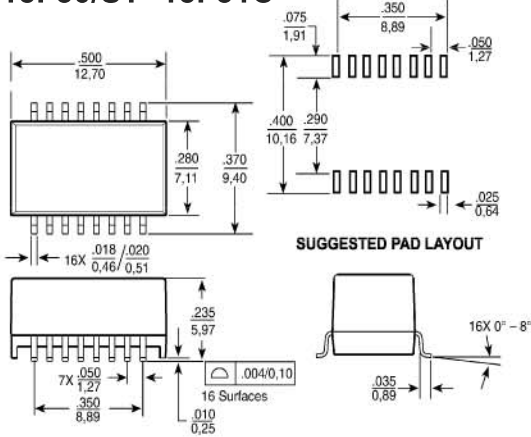
15F-50



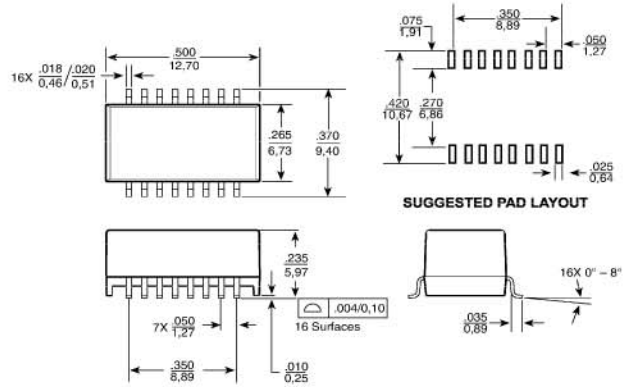
15F-51



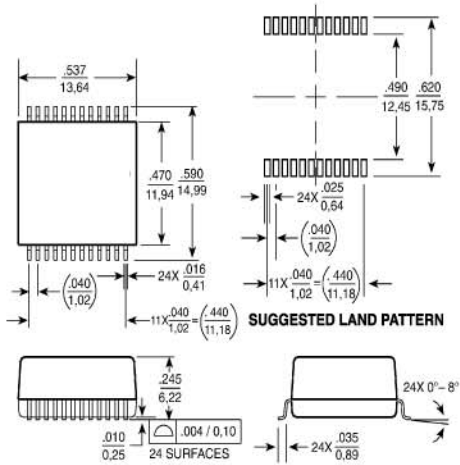
ST- 15F30/ST- 15F31C



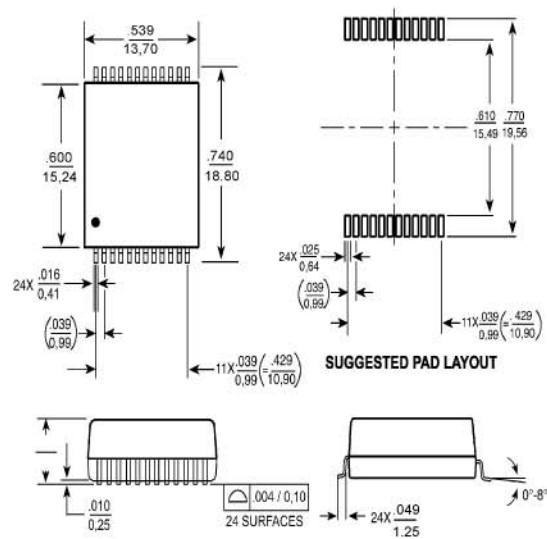
ST- 15F32



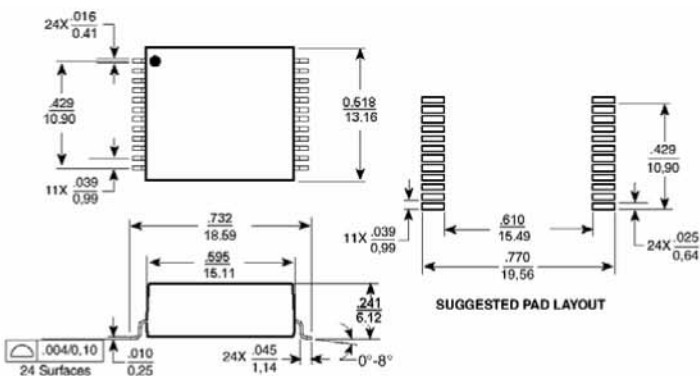
ST- 15F10/ST- 15F11



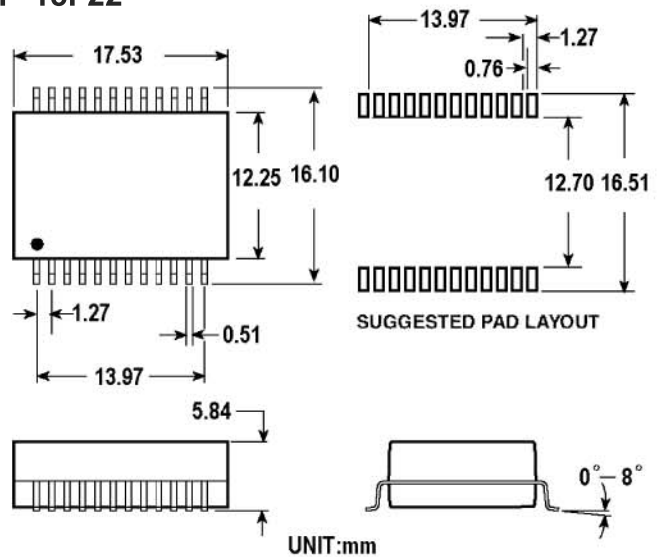
ST- 15F20/ST- 15F25



ST- 15F21

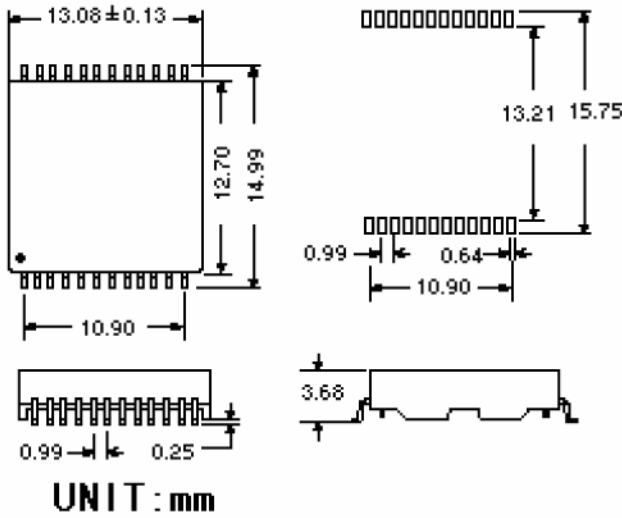


ST- 15F22

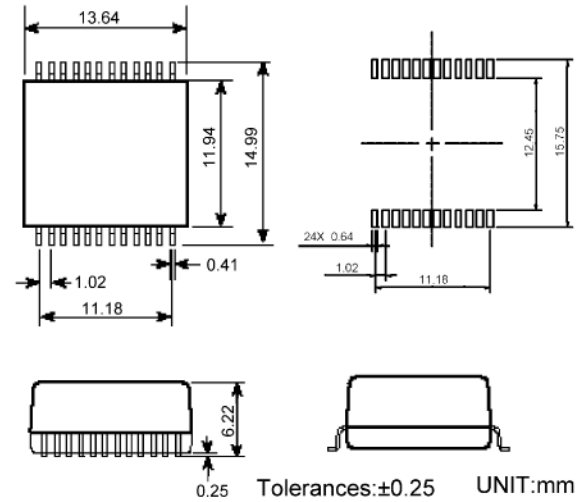


UNIT:mm

ST- 15F23/ST- 15F24

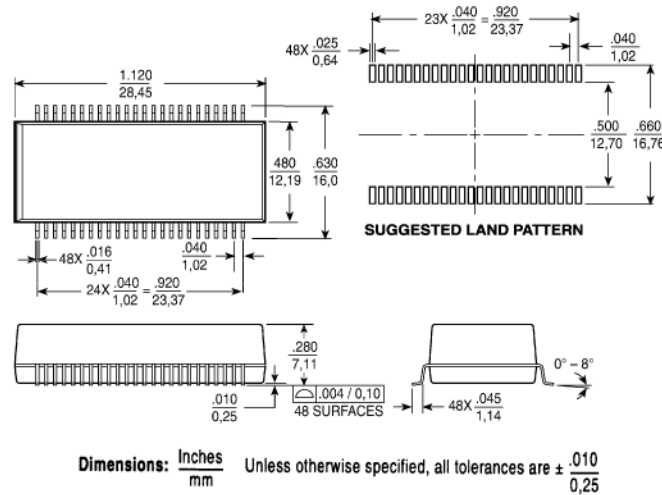


ST- 15F26



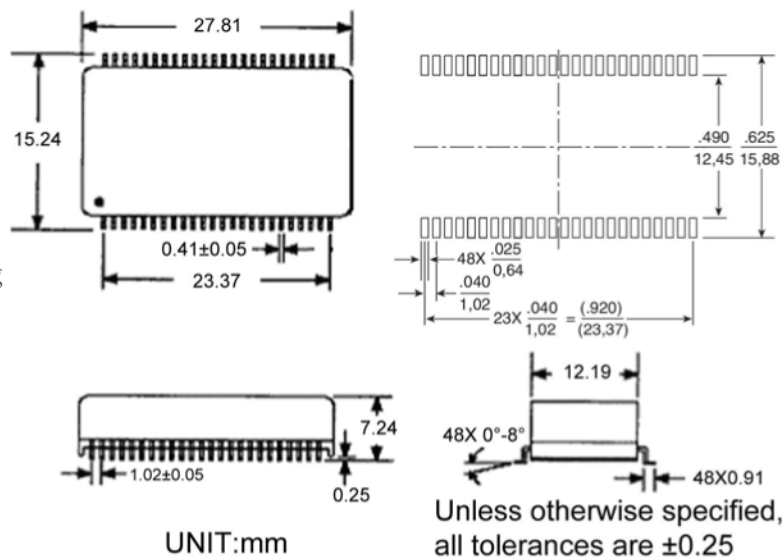
ST- 15F4X

Molding



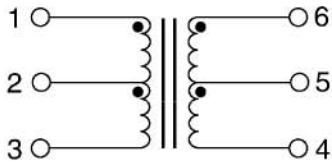
ST- 15FB4X

Bottom Potting

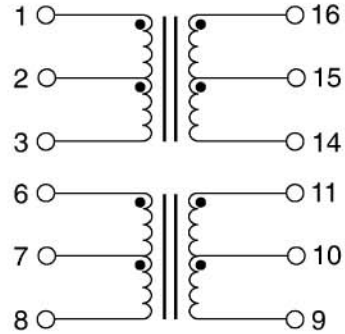


SCHEMATICS

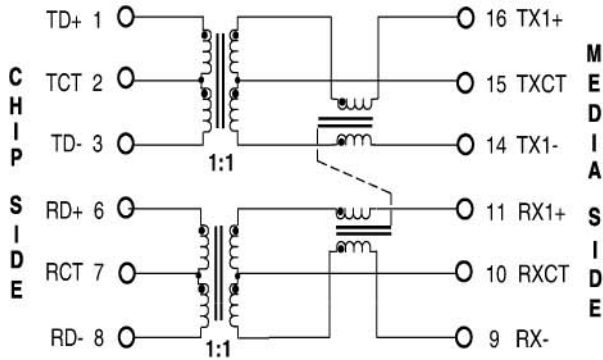
ST- 15F50/ST-15F51



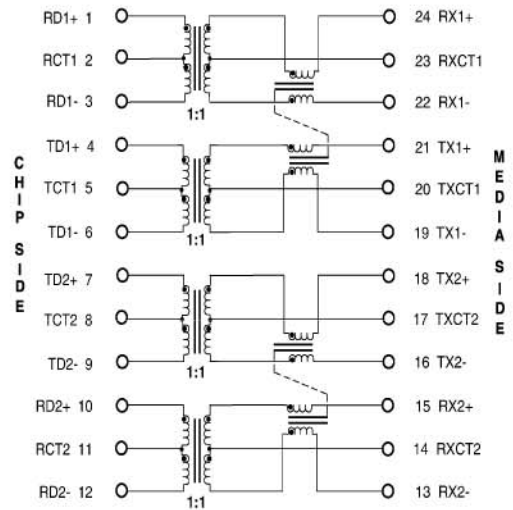
ST- 15F32



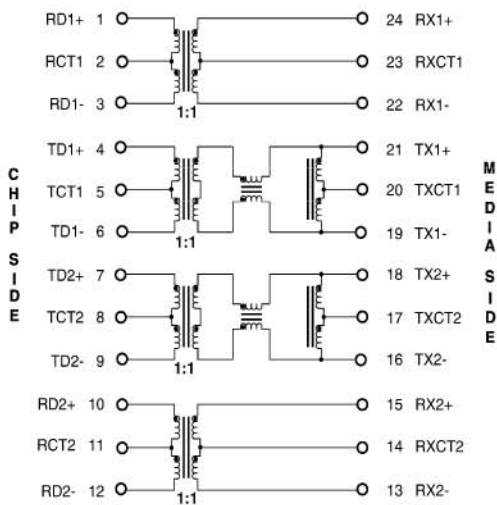
ST- 15F39/ST- 15F31C



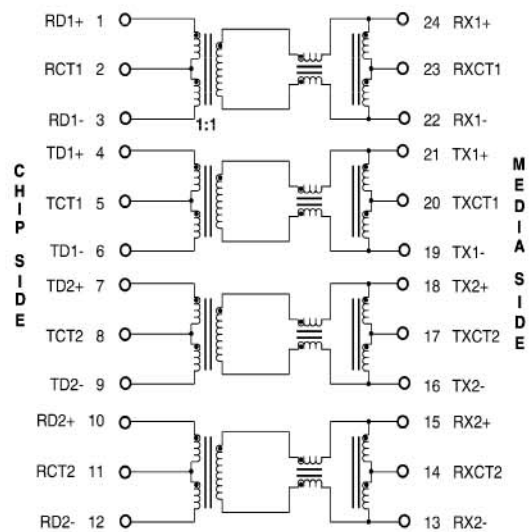
ST- 15F10



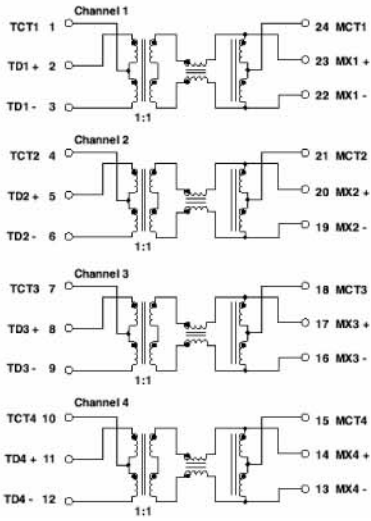
ST- 15F11



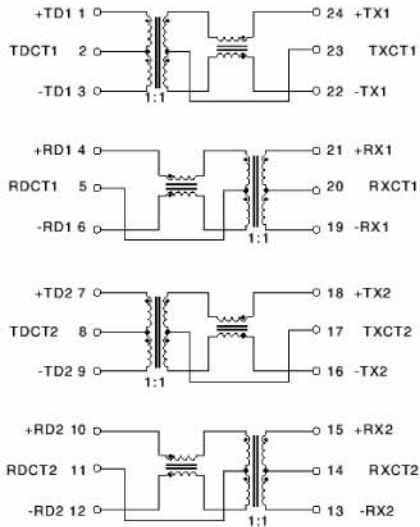
ST- 15F10



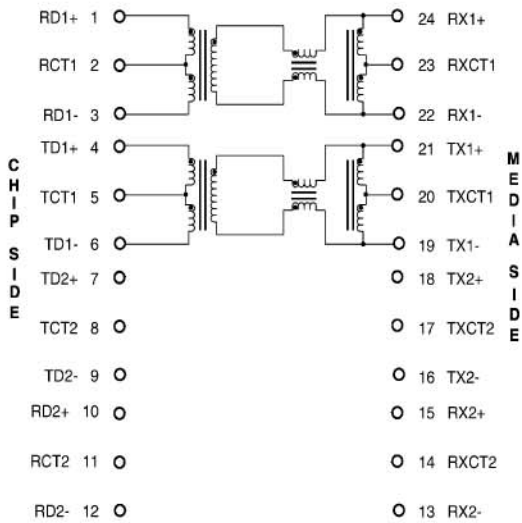
ST- 15F21



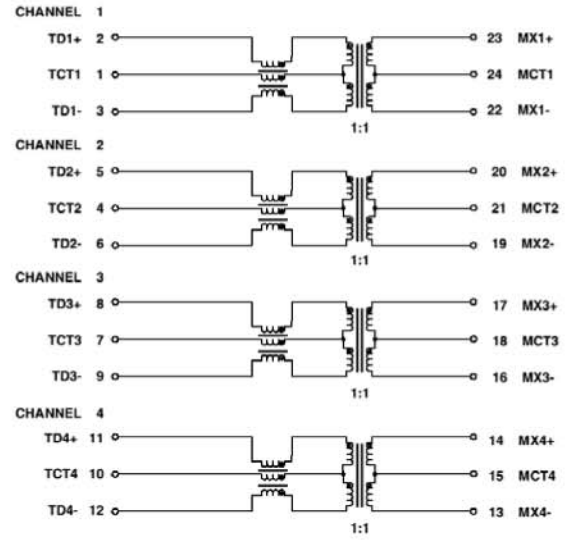
ST- 15F23



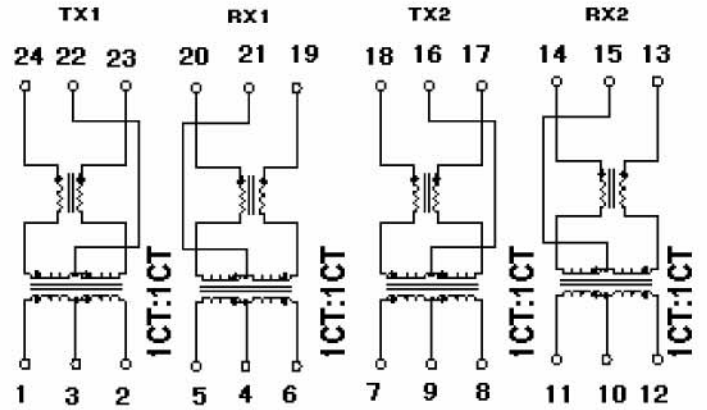
ST- 15F25



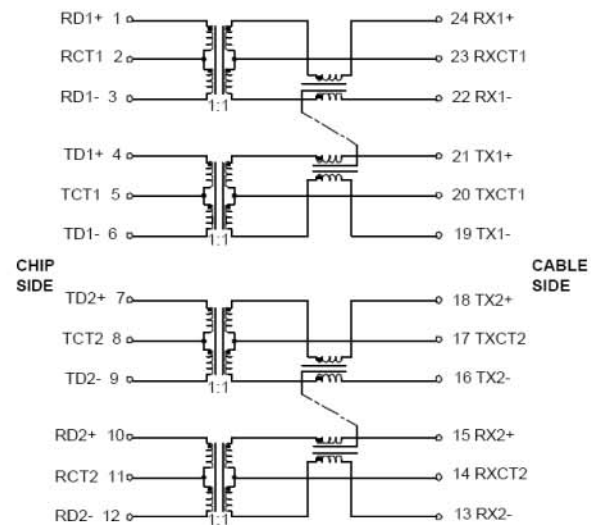
ST- 15F22



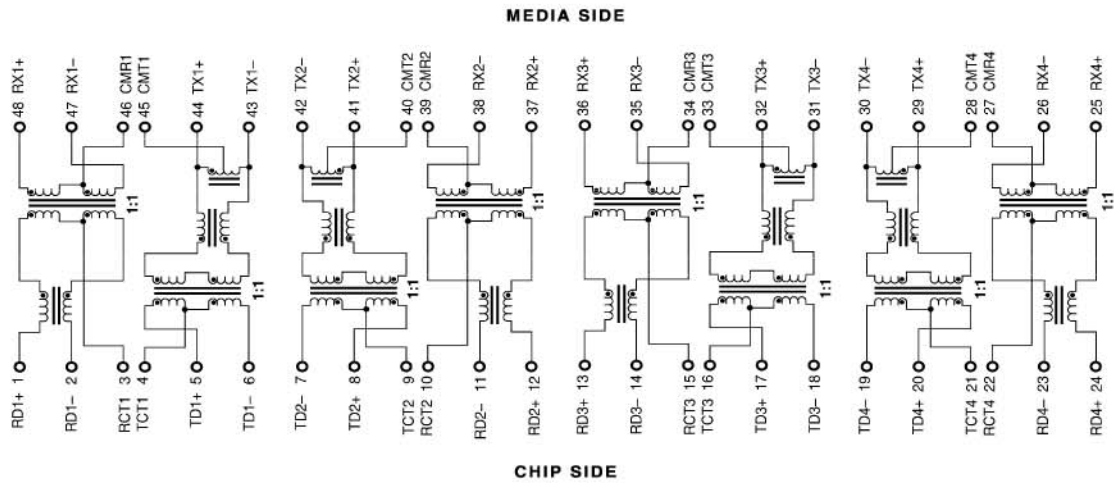
ST- 15F24



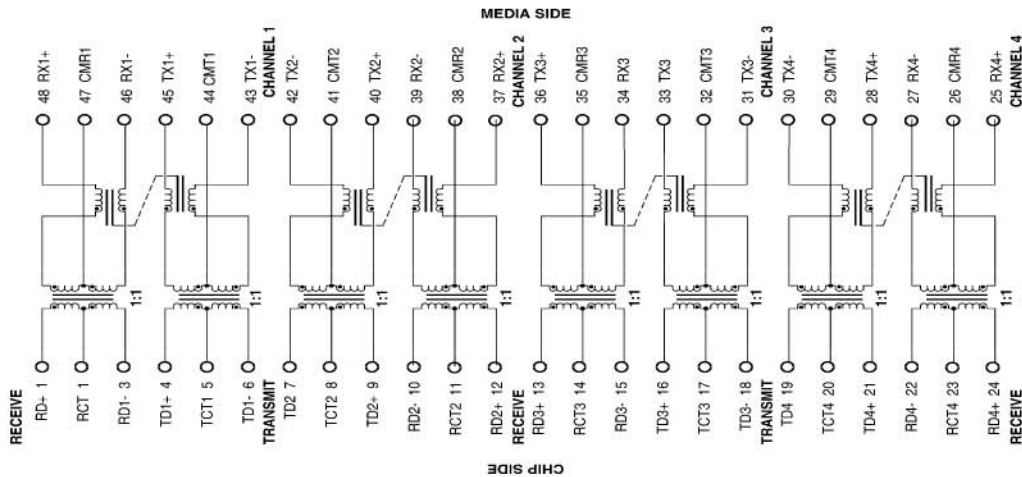
ST- 15F26



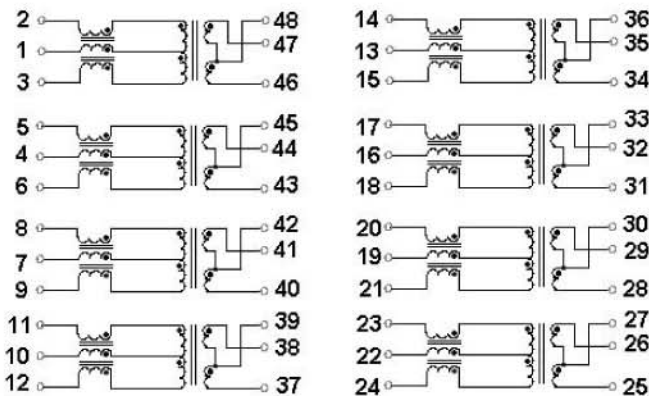
ST- 15F40



ST- 15F41



ST- 15F42



ST- 15F43

